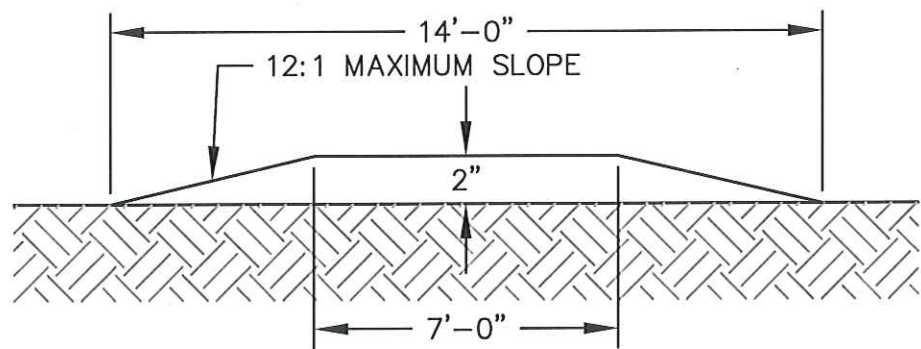


SCALE: 1" = 400'
 400' 0 400'
 SCALE OF MAP MAY VARY
 DUE TO METHODS OF REPRODUCTION.

NOTES:

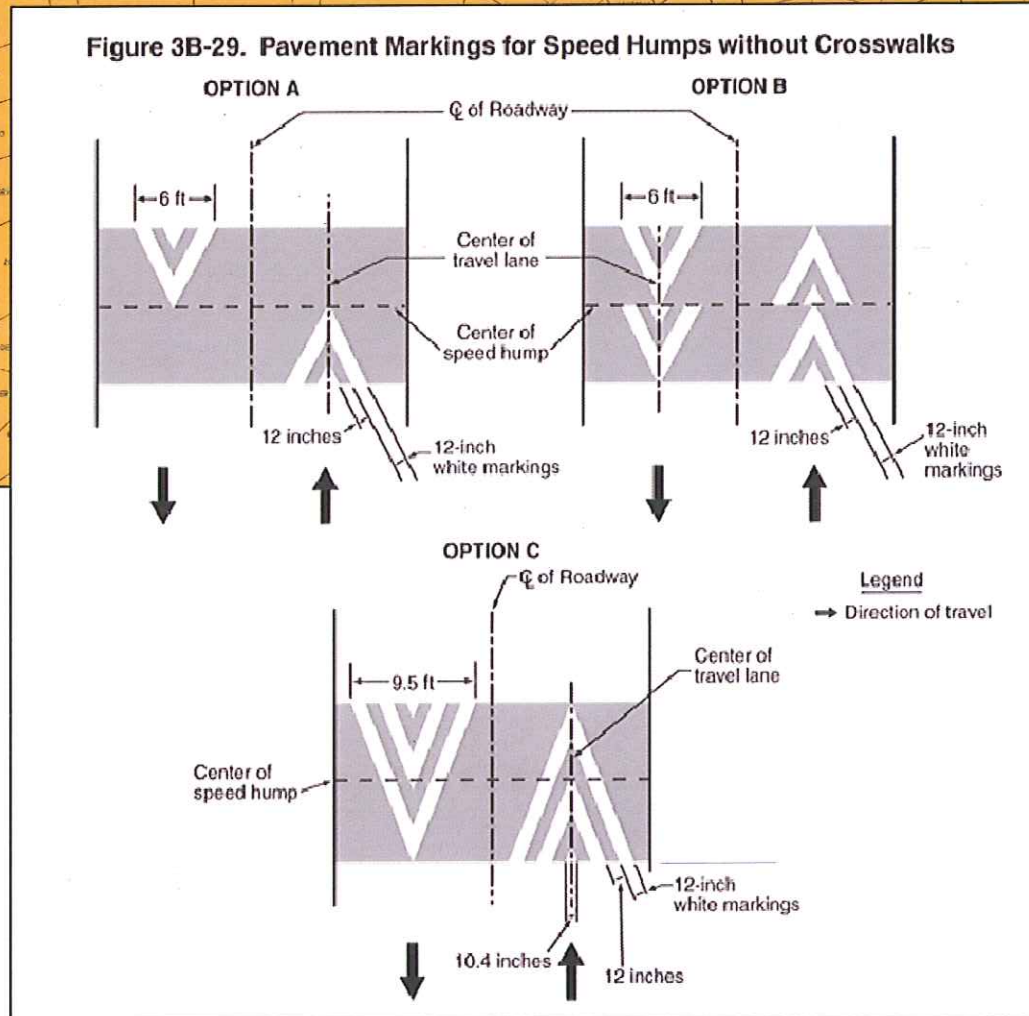
- (1) CONSTRUCT SPEED HUMP TO WITHIN A $\frac{1}{8}$ " CONSTRUCTION TOLERANCE.
- (2) ALL SPEED HUMPS SHALL BE PAINTED WITH WHITE THERMO-PLASTIC PAINT (MEETING NCDOT SPECIFICATIONS).
- (3) ADVANCE WARNING SIGNS SHALL BE INSTALLED AT THE FIRST AND LAST SPEED HUMPS AND WARNING SIGNS SHALL ALSO BE INSTALLED AT EACH SPEED HUMP IN EACH DIRECTION.
- (4) TAPER EDGE NEAR CURB TO ALLOW GAP FOR DRAINAGE.



**SPEED HUMP CROSS SECTION
 DETAIL**

SCALE: NOT TO SCALE

1
 C.1.1

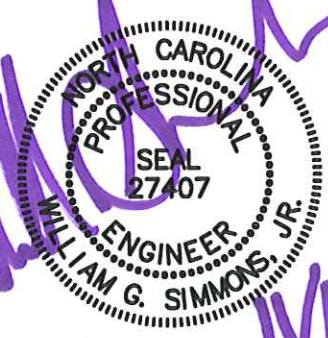


**SPEED HUMP PAVEMENT MARKING
 DETAIL**

SCALE: NOT TO SCALE

2
 C.1.1

Handwritten signature and date: 11/16/12



CAVANAUGH
 Stewardship through innovation

TOWN OF BELVILLE
 BELVILLE, BRUNSWICK COUNTY, NORTH CAROLINA
 N. OLDE TOWNE WYND SE
 TRAFFIC CALMING DEVICES
 SITE PLAN AND DIMENSIONS

SHEET NUMBER
 C.1.1

DATE: NOVEMBER 16, 2012
 PROJECT NO.: 041.11.006
 DESIGNED: JPC
 CHECKED: WGS
 SCALE: AS SHOWN

1104 Eastwood Road, Suite 205, Wilmington, NC 28403 (910) 392-4462 Fax (910) 392-4462 www.cavanaughholdings.com